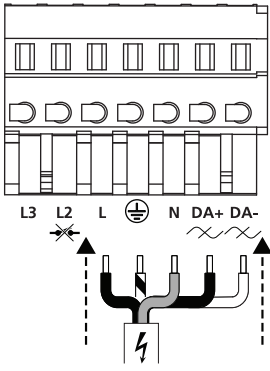
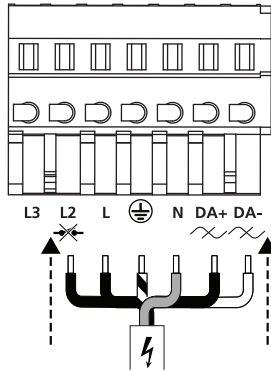


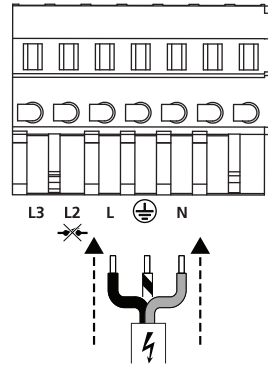
Vla ⚡ 220-240V~ + DALI



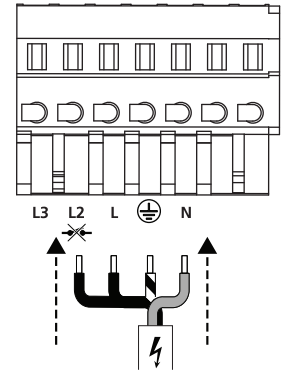
Vib ⚡ 220-240V~ + DALI



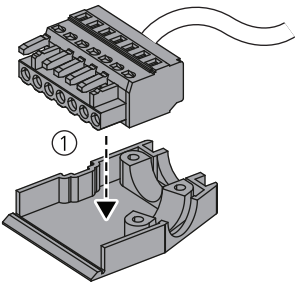
Vlc ⚡ 220-240V~ + SSA



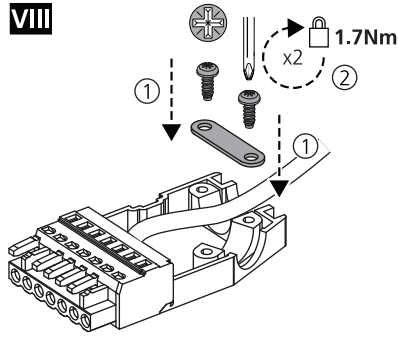
Vld ⚡ 220-240V~ + SSA



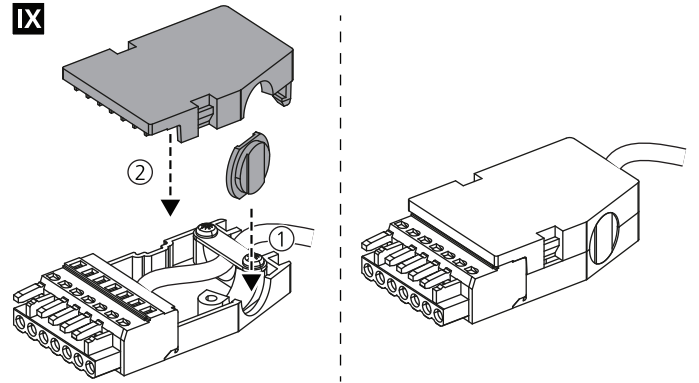
VII 2064602



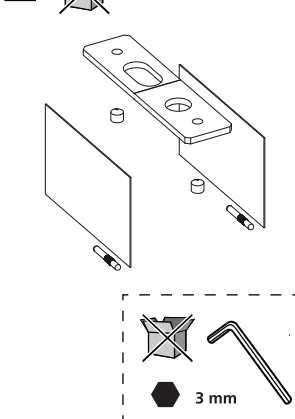
VIII



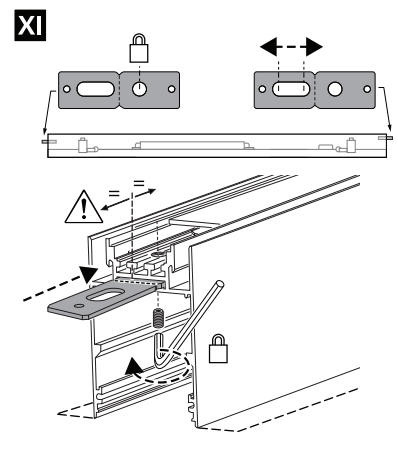
IX



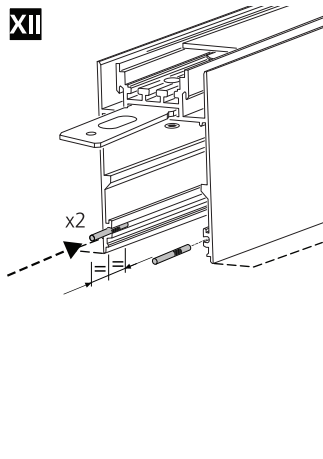
X 2064600



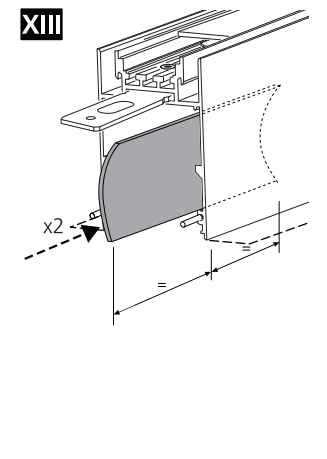
XI



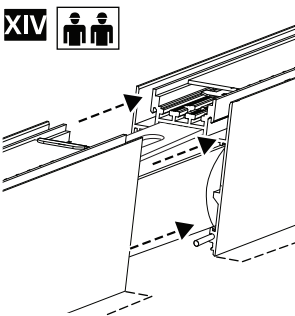
XII



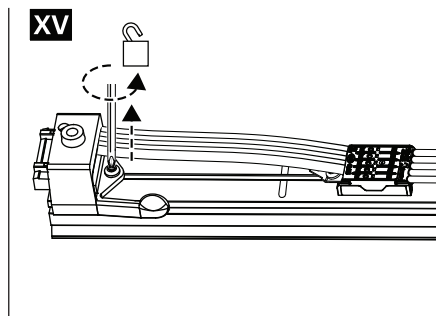
XIII



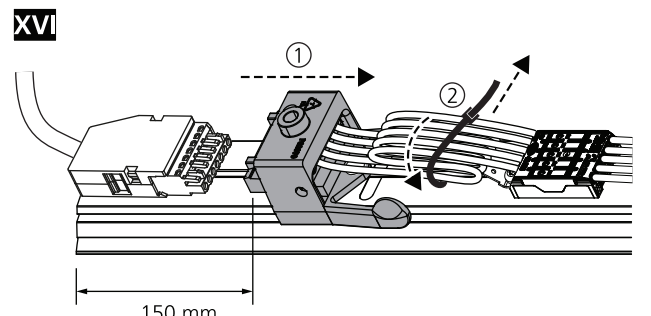
XIV



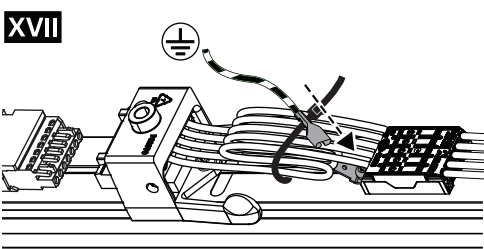
XV



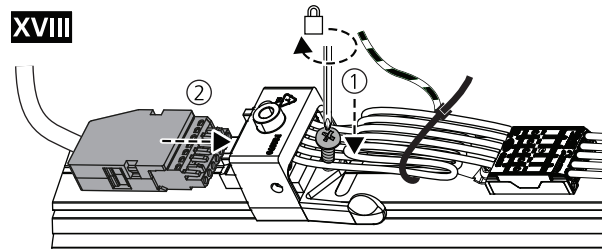
XVI



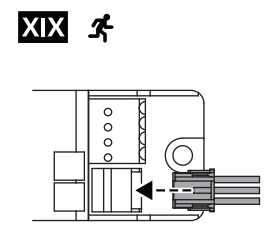
XVII



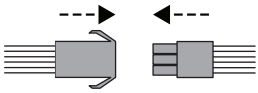
XVIII



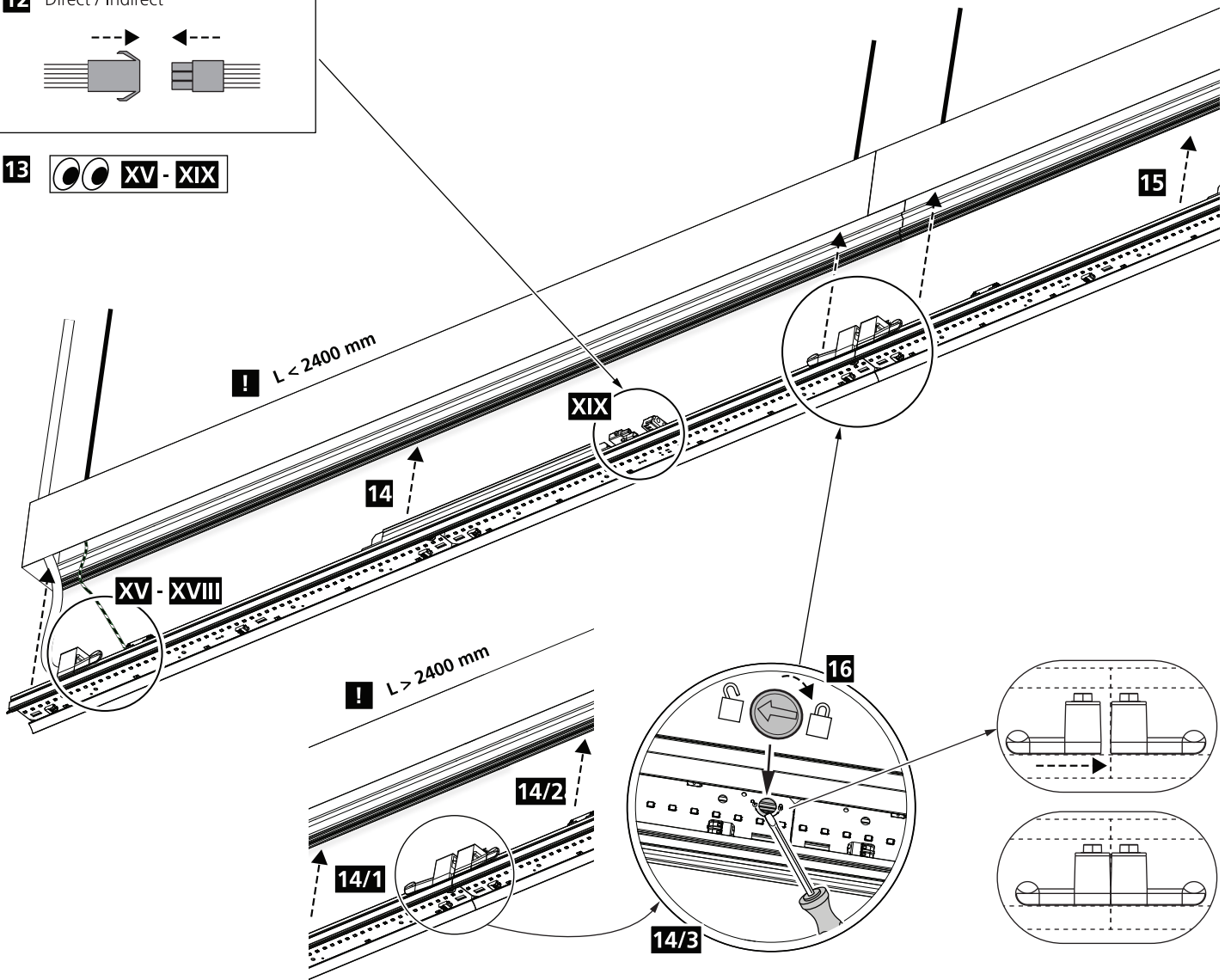
XIX



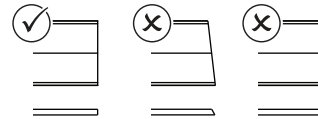
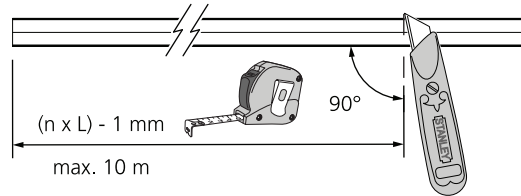
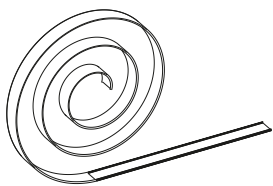
12 Direct / Indirect



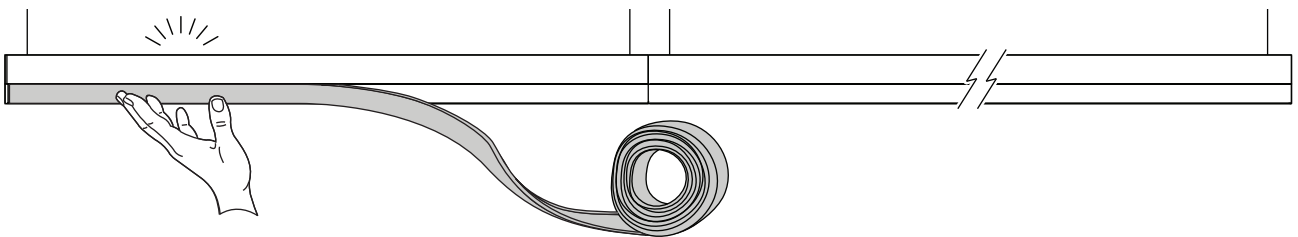
13 **XV - XIX**



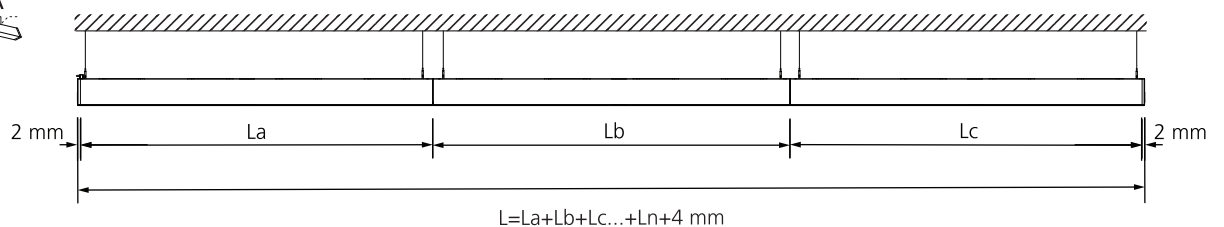
17 2064605, 2064607



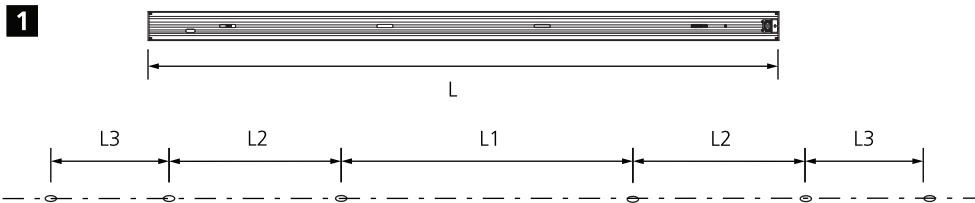
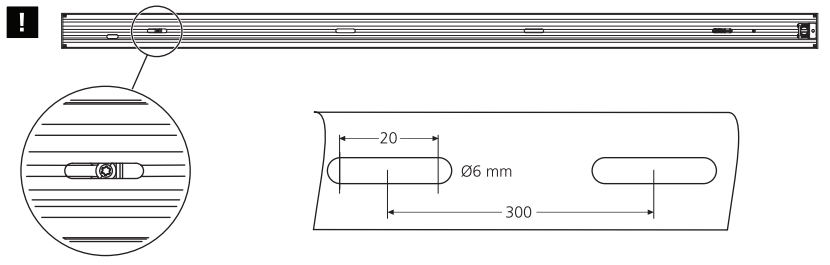
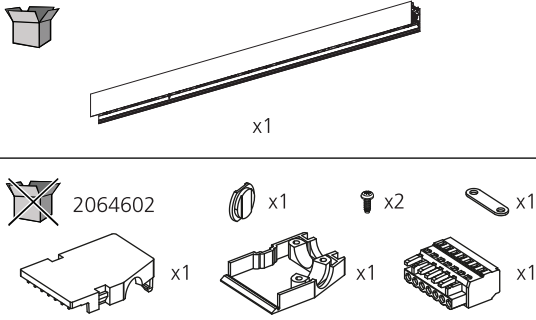
18



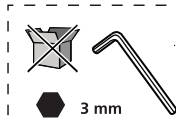
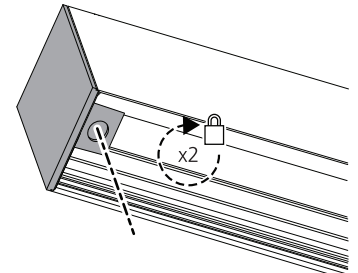
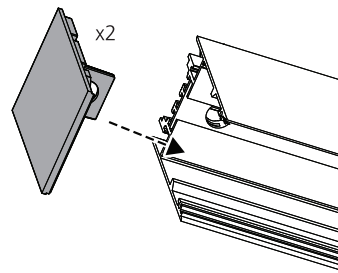
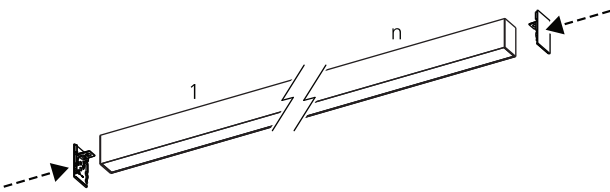
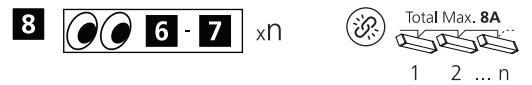
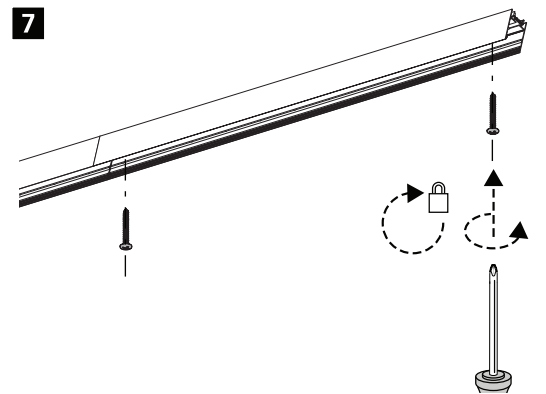
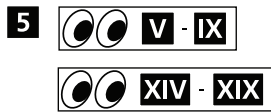
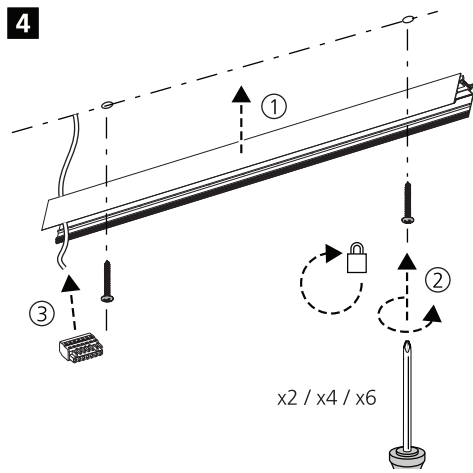
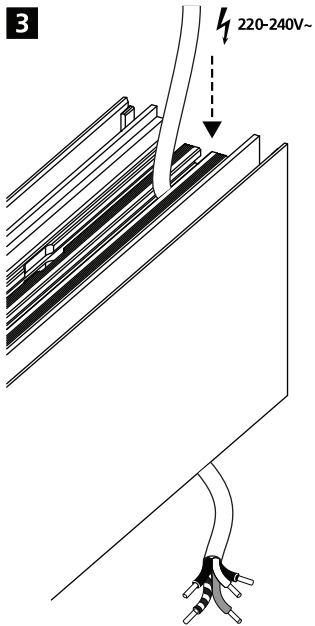
19 Total Max. 8A

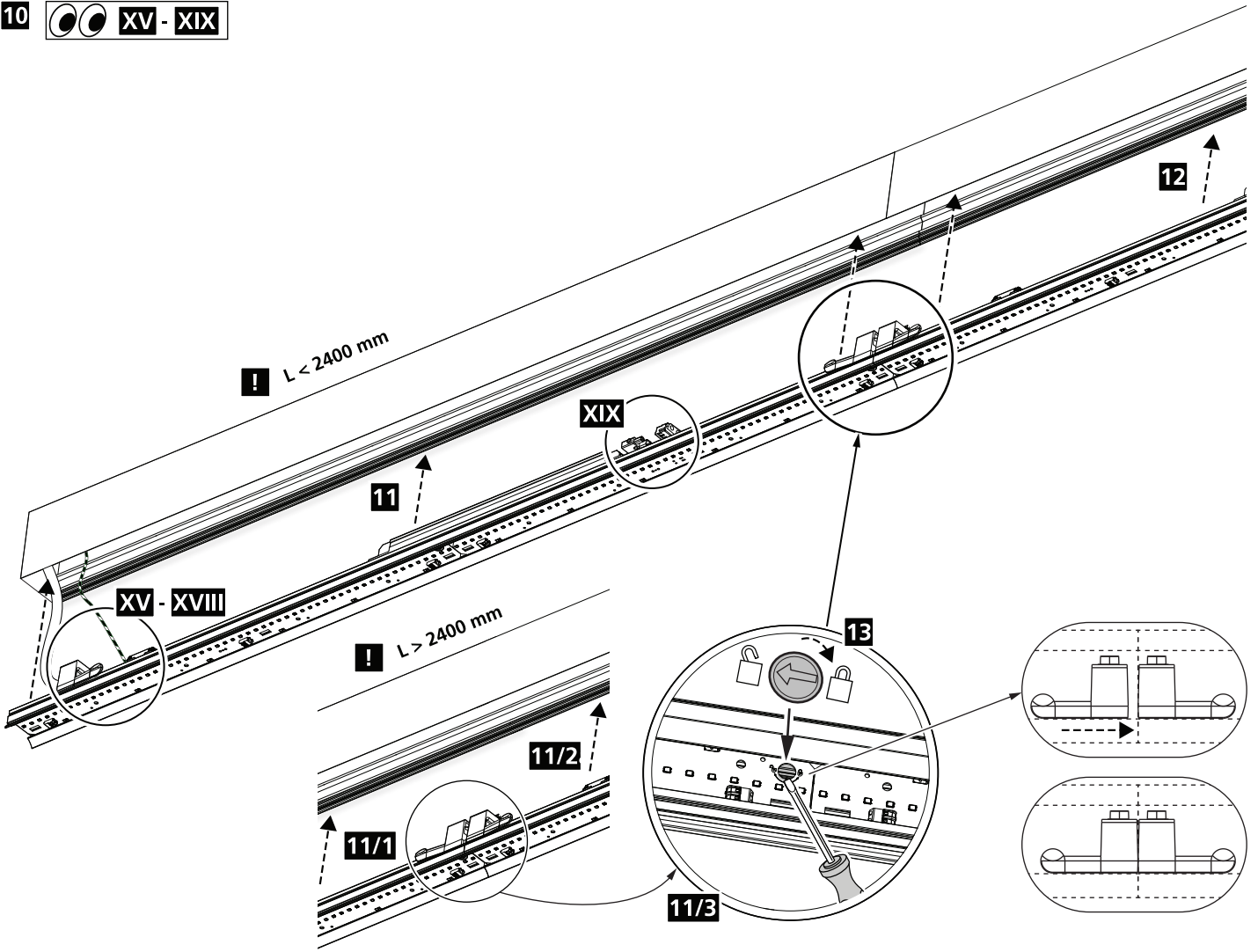



Surface mount

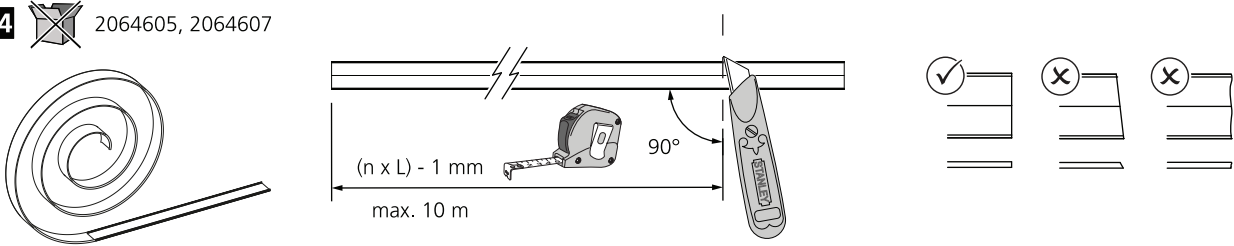


L [mm]	L1 [mm]	L2 [mm]	L3 [mm]	⚡
605	300	-	-	x2
905	600	-	-	x2
1205/1290	900	-	-	x2
1505	1200	-	-	x2
1805	900	300	-	x4
2105	1200	300	-	x4
2405	900	600	-	x4
2705	1200	600	-	x4
3005	900	900	-	x4
3305	1200	900	-	x4
3605	900	1200	-	x4
3905	1200	1200	-	x4
4205	900	900	600	x6
4505	1200	900	600	x6
4805	900	900	900	x6

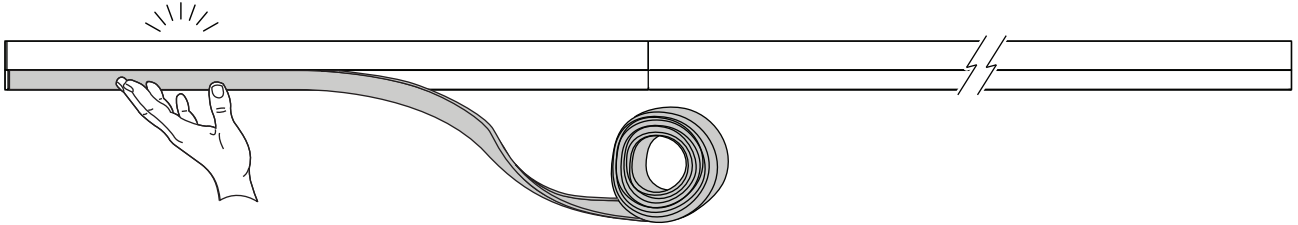




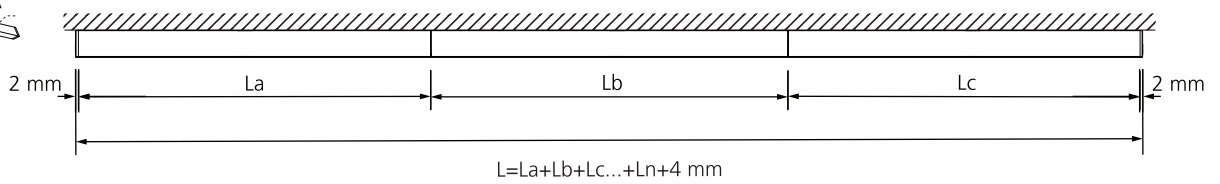
14  2064605, 2064607



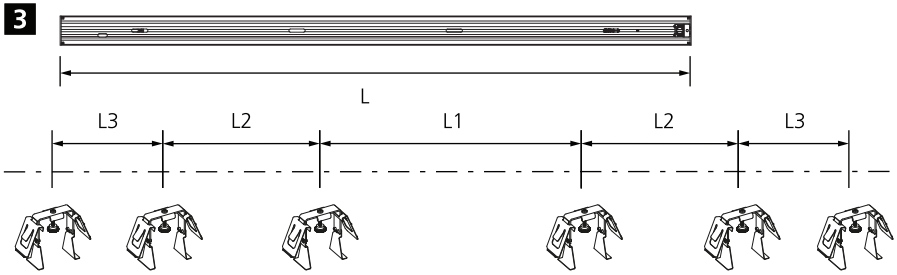
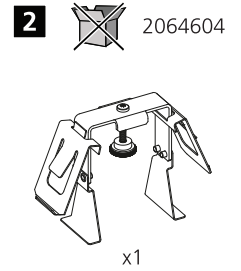
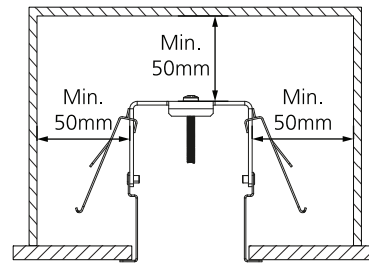
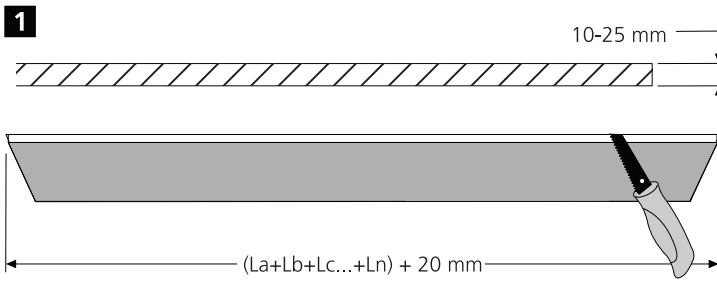
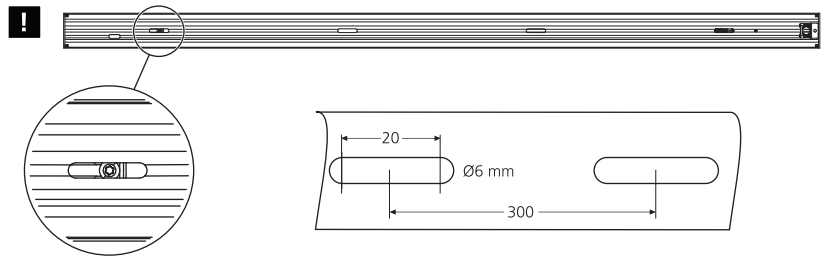
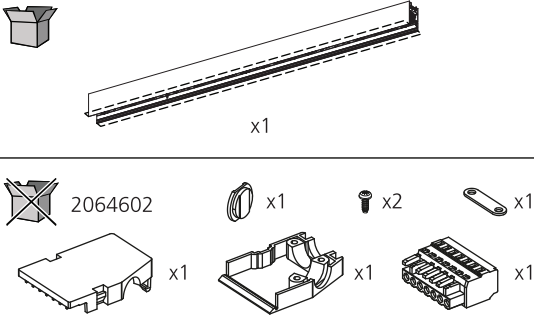
15



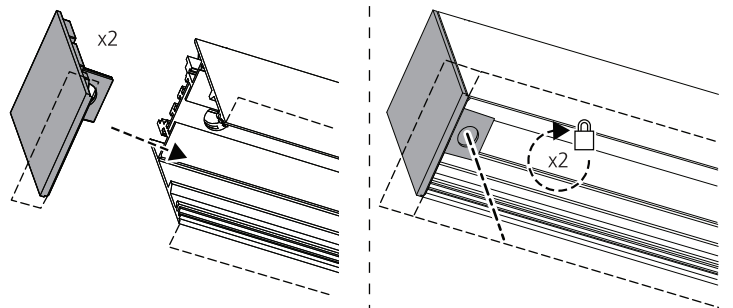
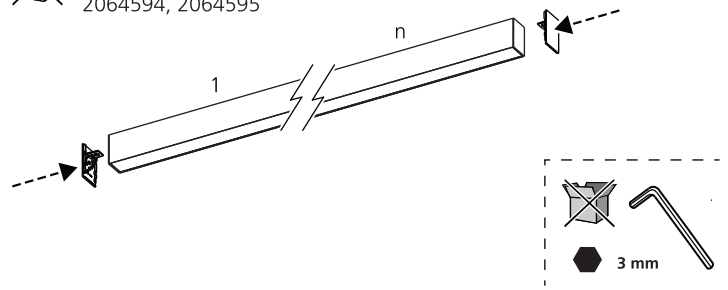
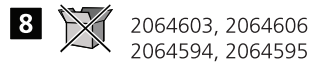
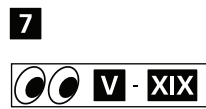
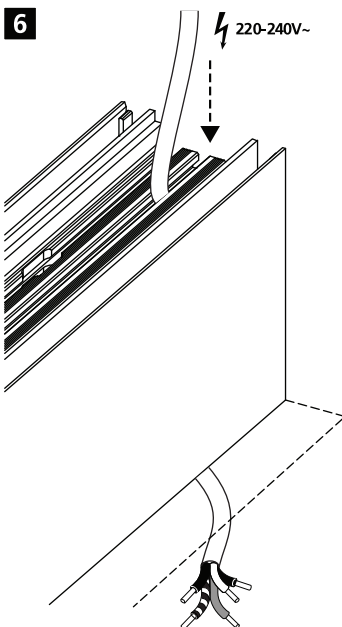
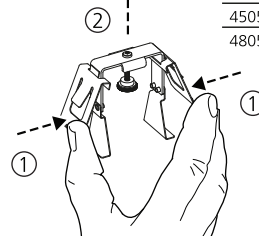
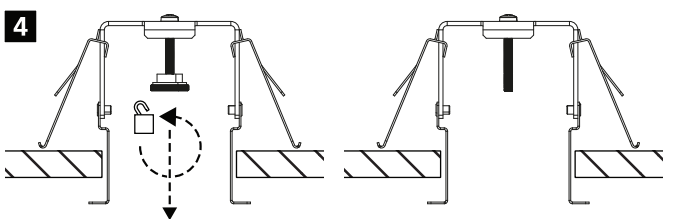
16  Total Max. 8A



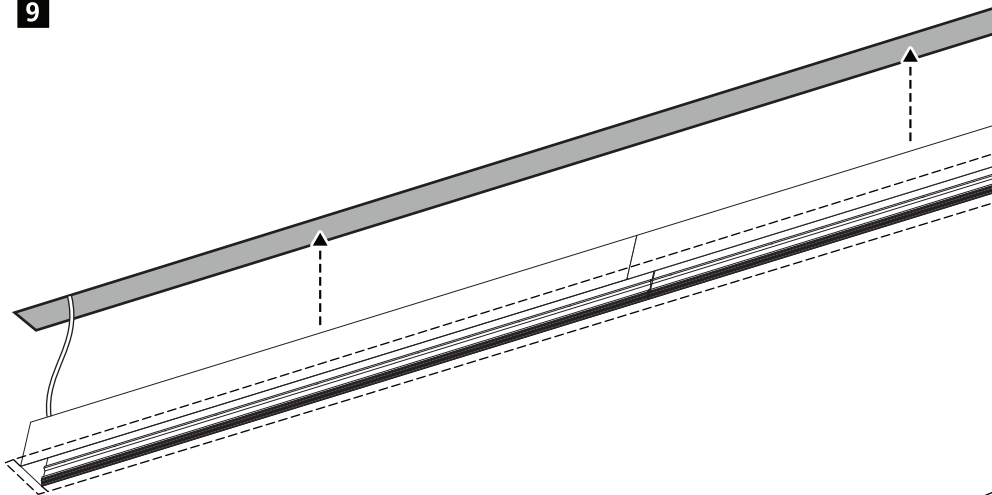
Recessed mount



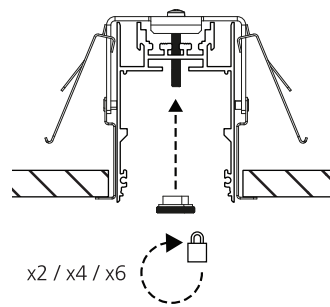
L [mm]	L1 [mm]	L2 [mm]	L3 [mm]		∇ [mm]
605	300	-	-	x2	607x60
905	600	-	-	x2	907x60
1205/1290	900	-	-	x2	1207/1292x60
1505	1200	-	-	x2	1507x60
1805	900	300	-	x4	1807x60
2105	1200	300	-	x4	2107x60
2405	900	600	-	x4	2407x60
2705	1200	600	-	x4	2707x60
3005	900	900	-	x4	3007x60
3305	1200	900	-	x4	3307x60
3605	900	1200	-	x4	3607x60
3905	1200	1200	-	x4	3907x60
4205	900	900	600	x6	4207x60
4505	1200	900	600	x6	4507x60
4805	900	900	900	x6	4807x60



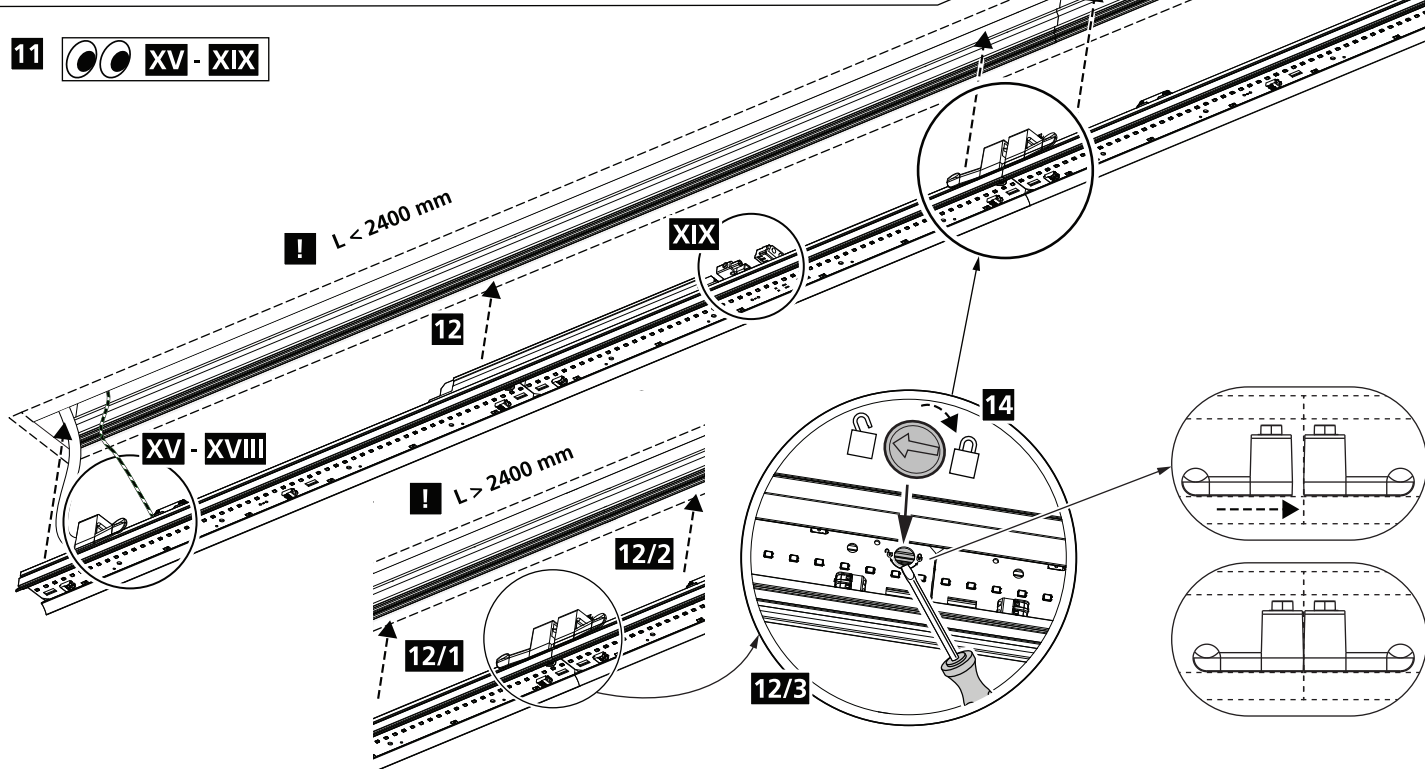
9




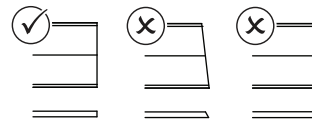
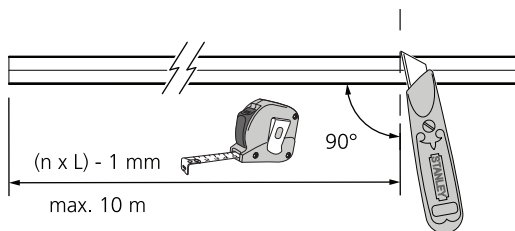
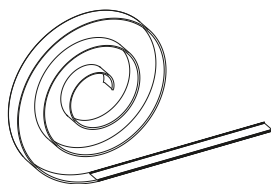
10



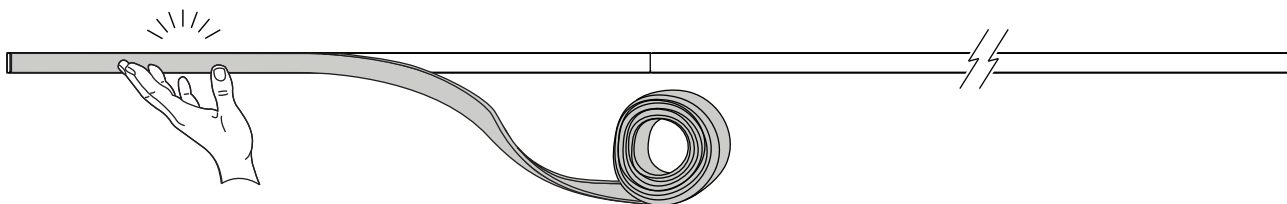
11  XV - XIX



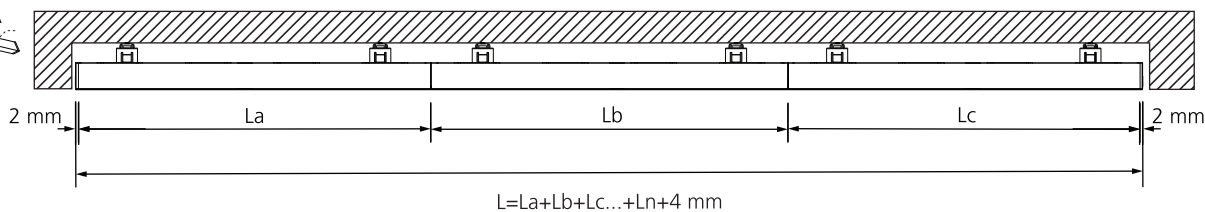
15  2064605, 2064607



16



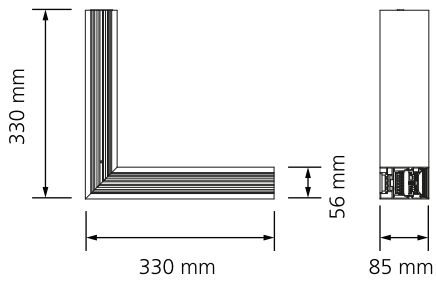
17  Total Max. 8A



Corner

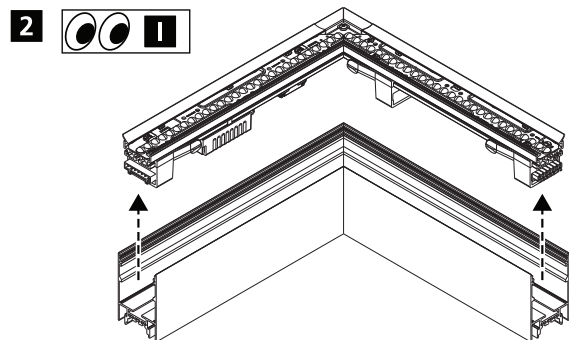
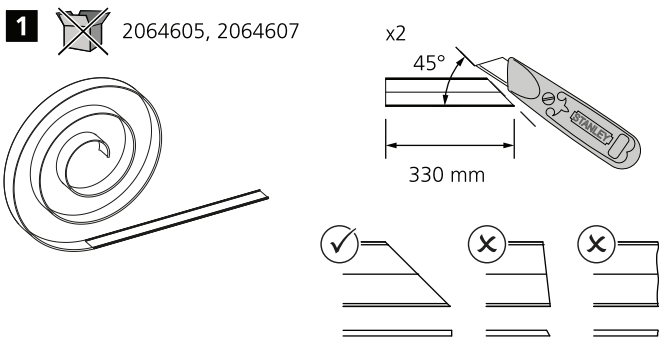
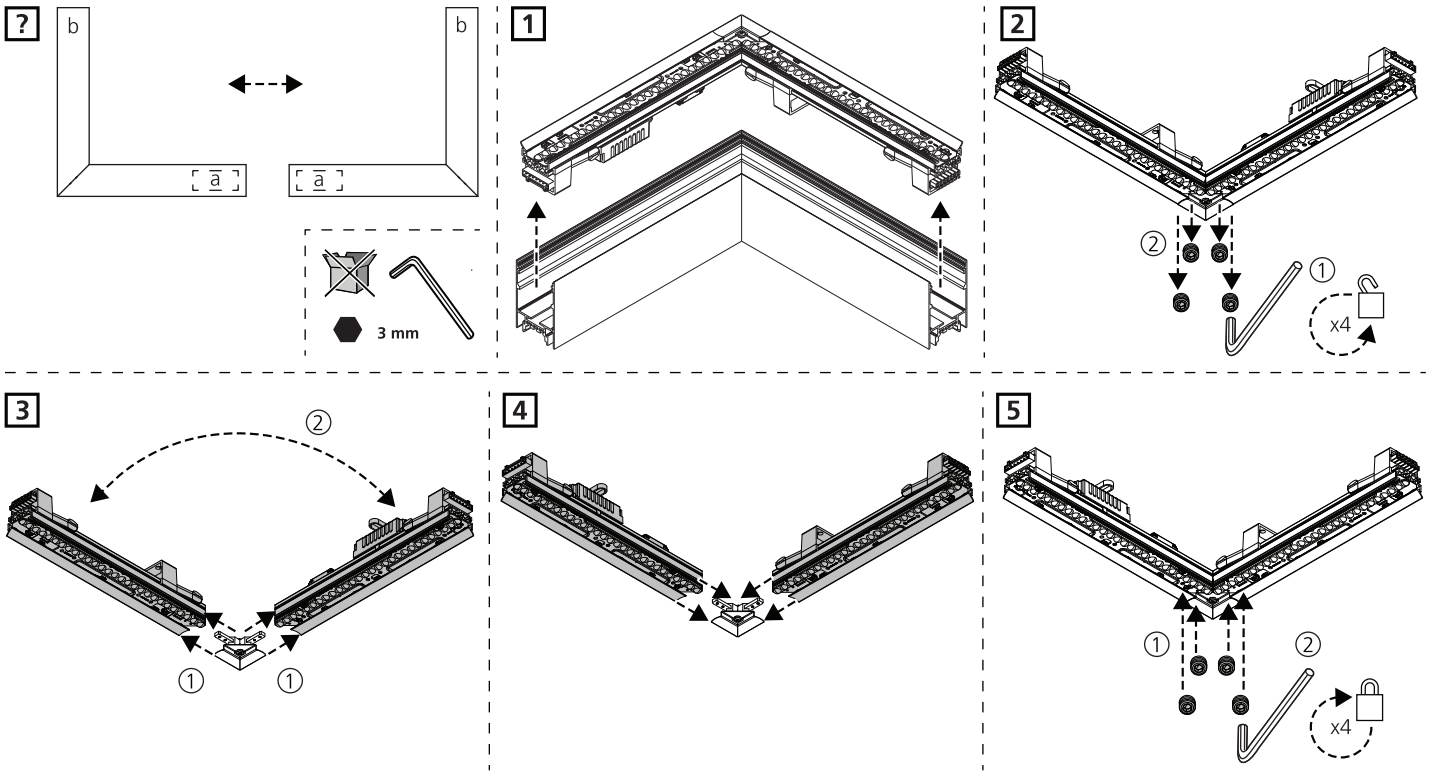
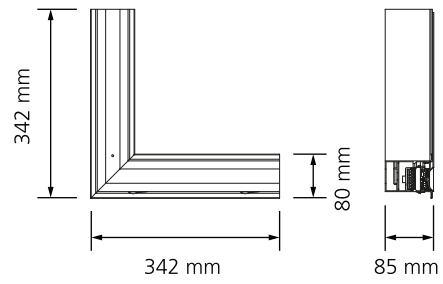
Trimless Corner

2064612
2064613
2064608
2064609

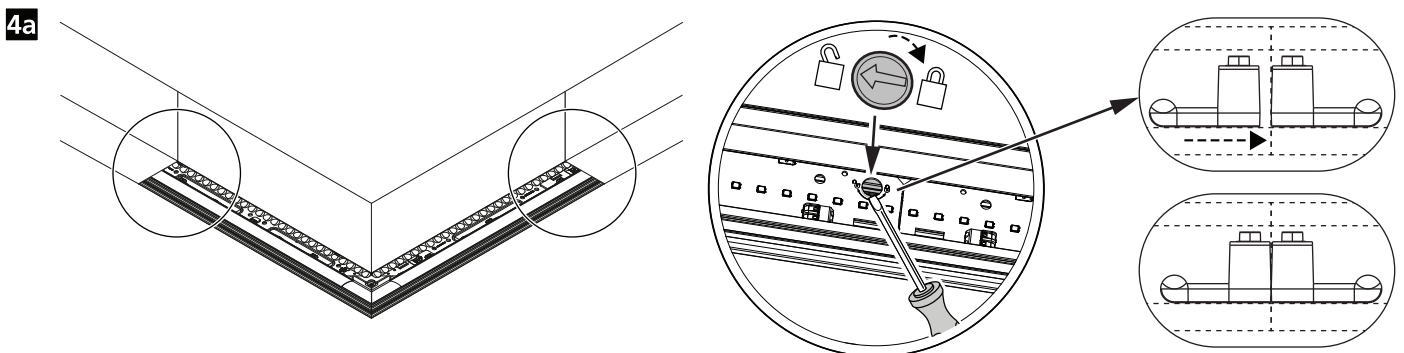


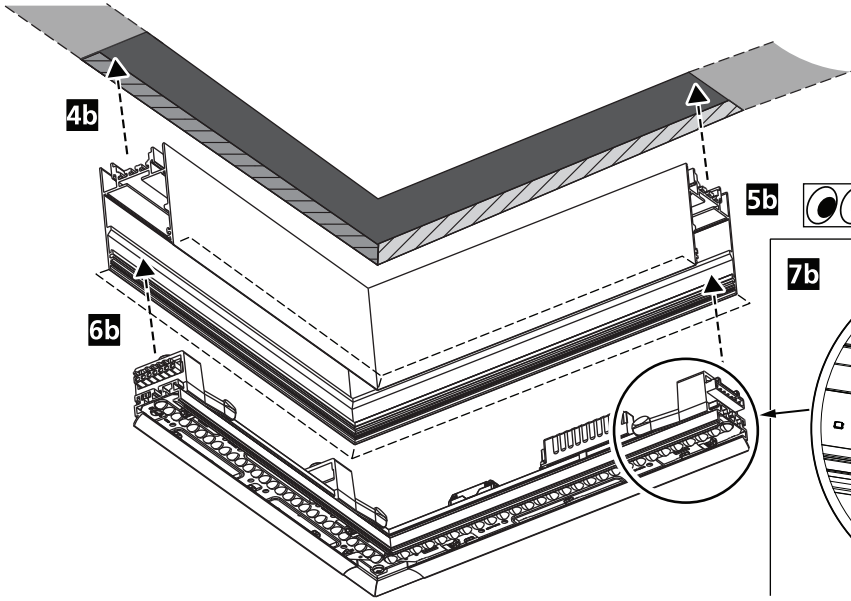
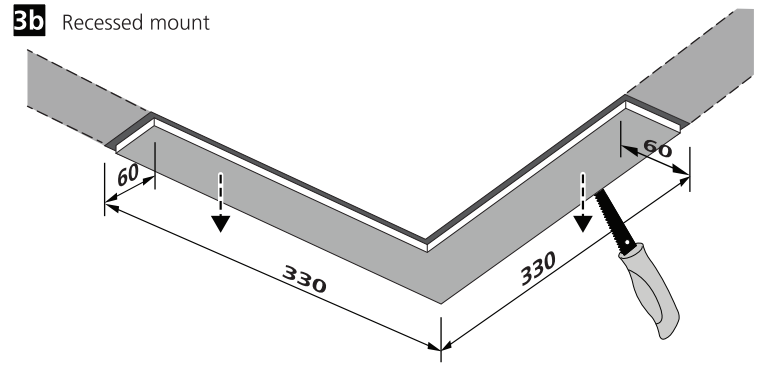
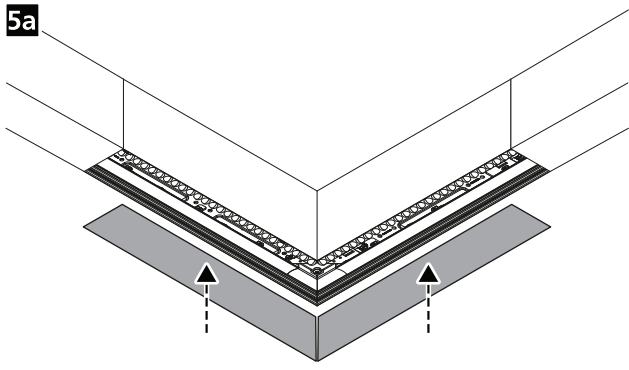
Trim Corner

2064614
2064615
2064610
2064611

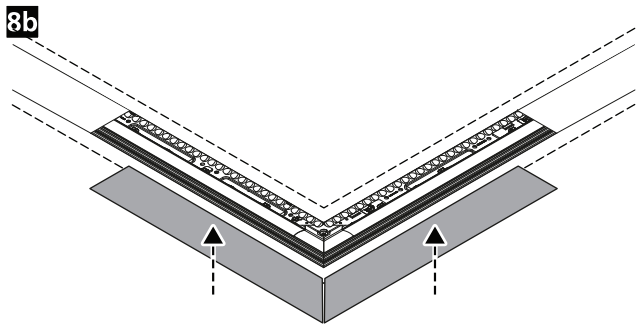
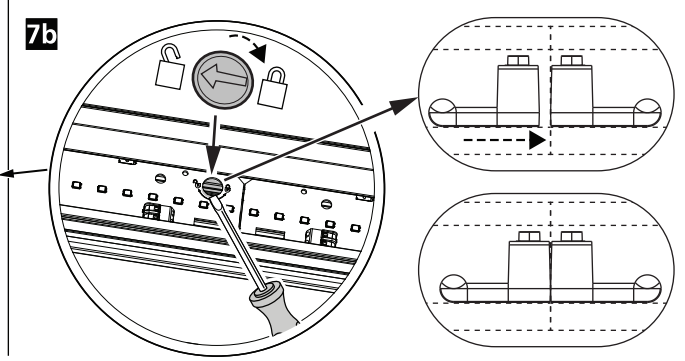


3a Suspended & Surface mount

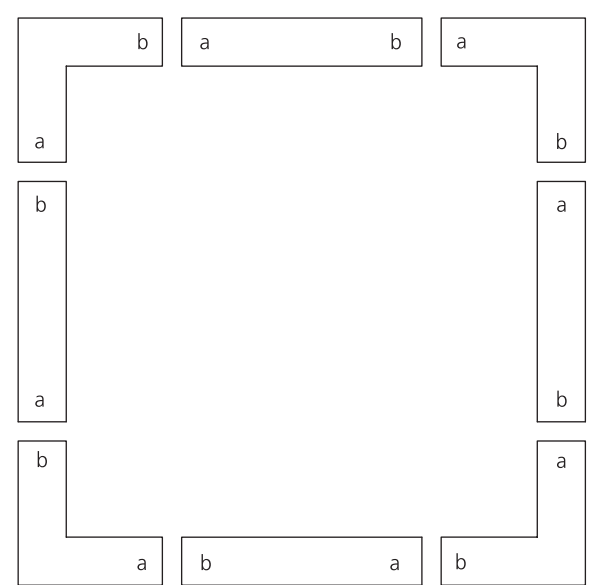




5b X - XIV

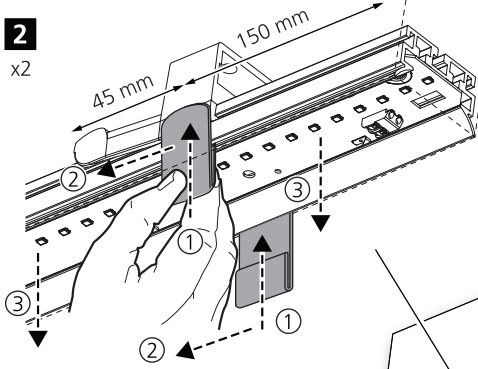


9 Total Max. 8A

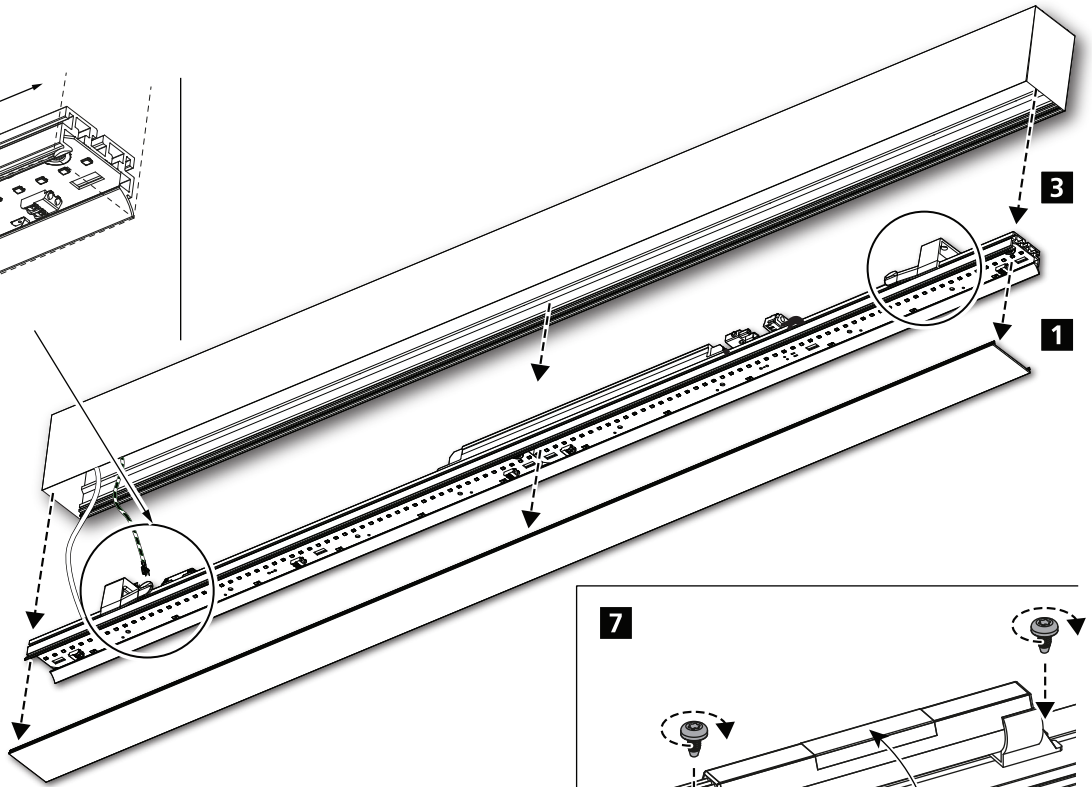
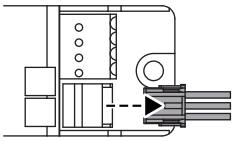




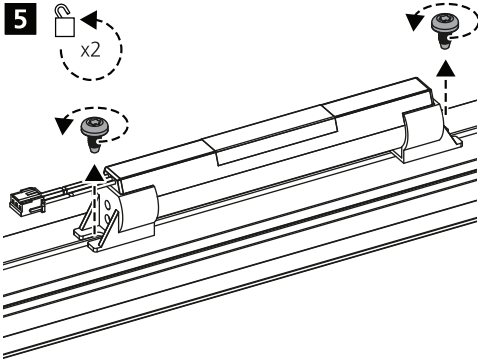
2
x2



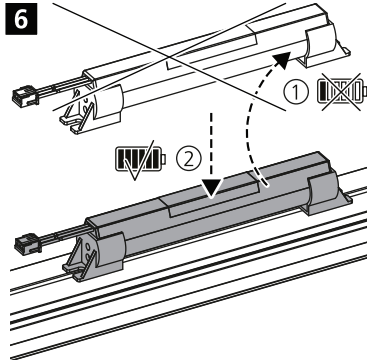
4



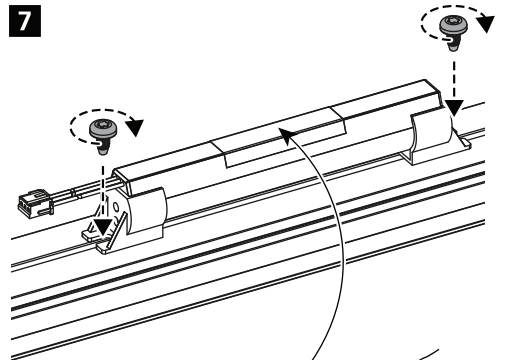
5
x2



6



7



WVSY <small>Date of Manufacture</small>	TRIDONIC <small>Fabrikasse 15 6551 Dornbirn / Austria Accu-LiFePO4 6.0Ah 4A CON Art.No.28002318 Lithium-Iron-Phosphate Battery</small>	 <small>LI-Ion</small>	<small>Date of installation</small>
	4 Cell 3.2V 6.0Ah 19.2Wh <small>1FJR19166-4 Made in China Max. continuous cell case temp refer to control gear data sheet Caution! May explode if disposed in fire Do not short terminals</small>		

8

